

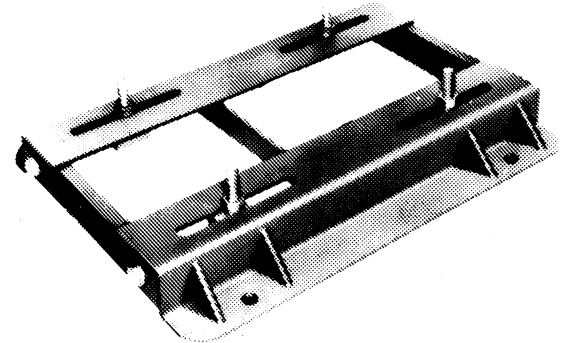
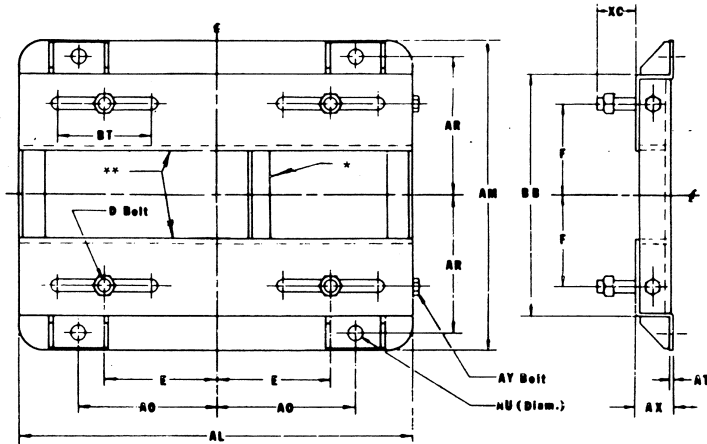


OVERLY HAUTZ COMPANY

PO BOX 837 215 SOUTH WEST STREET LEBANON, OHIO 45036-0873
 PHONE 513.932.0025 FAX 513.932.1688 WWW.OVERLYHAUTZ.COM

NEMA

STEEL ADJUSTABLE Heavy Duty MOTOR BASES



STYLE C2HD

- * Cross piece on 250, 280, 320, 360 style C2HD bases only.
- ** Turn-down flanges on 400, 440, style C2HD bases only.

STOCK BASES

FRAME & PART NO.	AL	AM	AX	BB	E	F	AO	AR	AU	BT	AT	XC	D BOLT	AY BOLT	APPROX WT. (LBS)
254C2HD	17-3/4	15-1/8	2	11	5	4-1/8	6-1/4	6-5/8	5/8	4	5/16	1-1/4	1/2x1-3/4	5/8x9	32
256C2HD	17-3/4	16-7/8	2	12-3/4	5	5	6-1/4	7-1/2	5/8	4	5/16	1-1/4	1/2x1-3/4	5/8x9	33
284C2HD	19-3/4	16-7/8	2	12-3/4	5-1/2	4-3/4	7	7-1/2	5/8	4-1/2	5/16	1-1/2	1/2x2	5/8x9	35
286C2HD	19-3/4	18-3/8	2	14-1/4	5-1/2	5-1/2	7	8-1/4	5/8	4-1/2	5/16	1-1/2	1/2x2	5/8x9	35
324C2HD	22-3/4	19-1/4	2-1/2	14-3/8	6-1/4	5-1/4	8	8-1/2	3/4	5-1/4	3/8	1-15/16	5/8x2-1/2	3/4x11	59
326C2HD	22-3/4	20-3/4	2-1/2	15-7/8	6-1/4	6	8	9-1/4	3/4	5-1/4	3/8	1-15/16	5/8x2-1/2	3/4x11	60
364C2HD	25-1/2	20-1/2	2-1/2	15-3/4	7	5-5/8	9	9-1/8	3/4	6	3/8	1-15/16	5/8x2-1/2	3/4x11	67
365C2HD	25-1/2	21-1/2	2-1/2	16-3/4	7	6-1/8	9	9-5/8	3/4	6	3/8	1-15/16	5/8x2-1/2	3/4x11	68
404C2HD	28-3/4	22-3/8	3	17-1/8	8	6-1/8	10	9-7/8	7/8	7	3/8	2-7/16	3/4x3	3/4x14	94
405C2HD	28-3/4	23-7/8	3	18-5/8	8	6-7/8	10	10-5/8	7/8	7	3/8	2-7/16	3/4x3	3/4x14	99
444C2HD	31-1/4	24-5/8	3	19-3/8	9	7-1/4	11	11	7/8	7-1/2	3/8	2-7/16	3/4x3	3/4x14	103
445C2HD	31-1/4	26-5/8	3	21-3/8	9	8-1/4	11	12	7/8	7-1/2	3/8	2-7/16	3/4x3	3/4x14	105
447C2HD	31-1/4	30-1/8	3	24-7/8	9	10	11	13-3/4	7/8	7-1/2	3/8	2-7/16	3/4x3	3/4x14	110
449C2HD	31-1/4	35-1/8	3	29-7/8	9	12-1/2	11	16-1/4	7/8	7-1/2	3/8	2-7/16	3/4x3	3/4x14	115

DIMENSIONS ARE IN INCHES: Bases are furnished with one coat of corrosion-resistant gray primer and zinc plated nuts and bolts.

Bases listed may also be used if the motor frame is succeeded by S, T, U, US or any letter combination as long as the motor complies with N.E.M.A.

The liability of the Overly-Hautz Company to the purchaser is limited to replacement of defective materials supplied. One year from the date of our shipment all liability shall terminate. There are no warranties which extend beyond the description on the face hereof.

CERTIFIED FOR: _____

FRAME _____ BY _____ DATE _____